



# SOV – SHUT OFF VALVE



Many large superyachts, sail and motor, are built with gate-valves to meet class/survey requirements and to allow insertion and removal of speed and depth sensors with no water ingress.

A+T are the only manufacturer supplying these gate valves for refits and new-builds as well as the depth and speed sensors for them.

All valves are tested and issued with certificate for 5 bar of pressure. Custom length sensors can be built on request.

## Range Available:



Valve compatible with SOV speed and depth sensors.

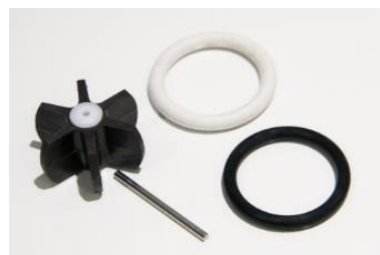


Isolation kit – used when valve is fitted to carbon, aluminium or steel hulls  
Replacement for B&G 155-30-017.



### Shut Off Valve Depth Sensor

170 kHz for use with B&G H2000 & H3000.  
Replacement for B&G 157-AA-038.  
200 kHz also available.



Replacement Paddlewheel Kit  
for A+T and B&G SOVs.

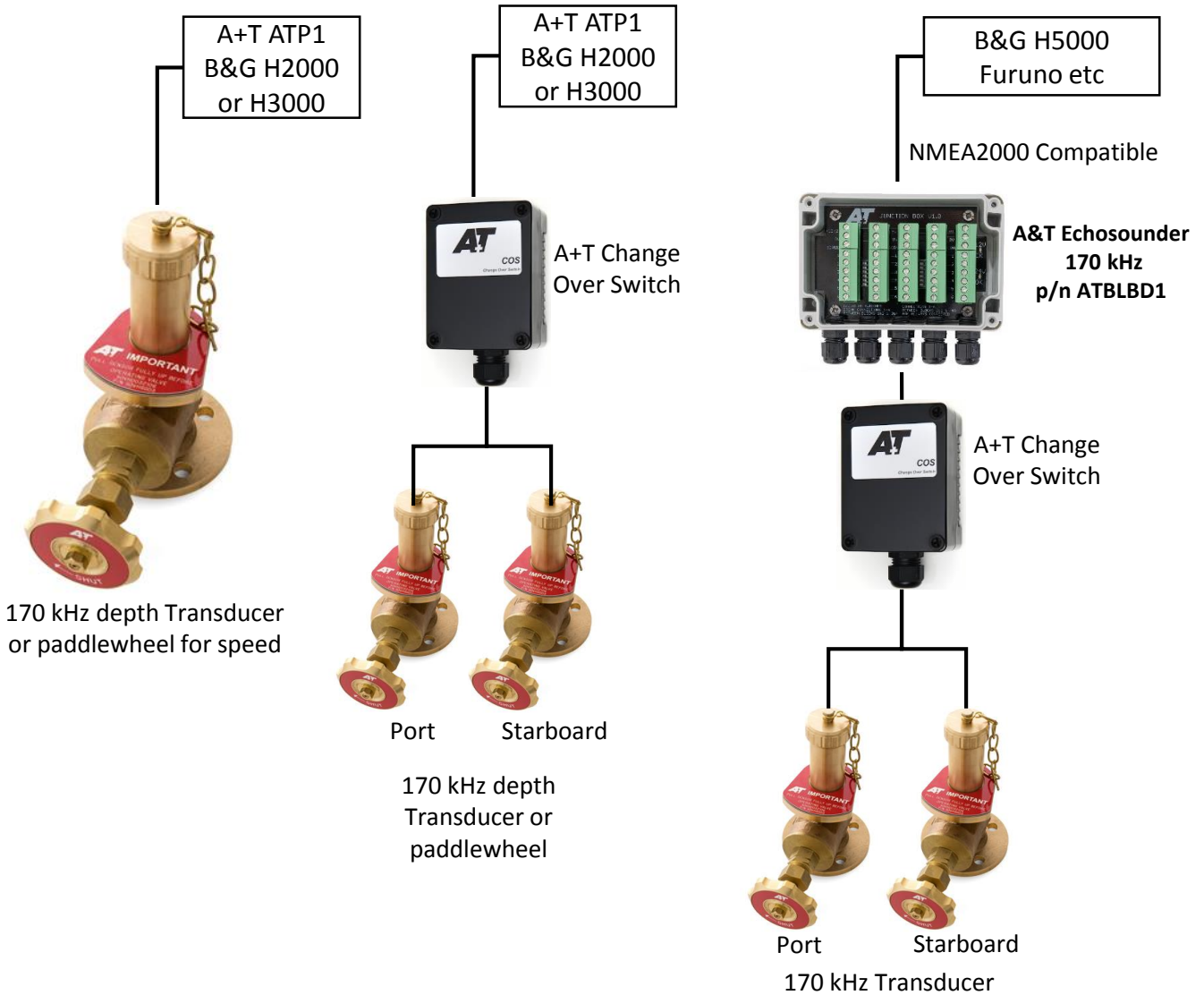


Shut Off Valve Paddlewheel Speed Sensor  
Replacement for B&G 202-00-064.



# SOV – SHUT OFF VALVE

## Typical Configurations



A+T offer a range of Change Over Switches, please see our website for further details:

<https://www.aandinstruments.com/products/spares-accessories/>

## Warranty and support

- 2 years warranty is offered on A+T products on return to factory basis
- Warranty starts from earliest date first used or 1 year after leaving factory
- Warranty voided if opened except by A+T. Integral tamper sensor fitted in unit
- 24/7 telephone support is provided direct from A+T Instruments Ltd